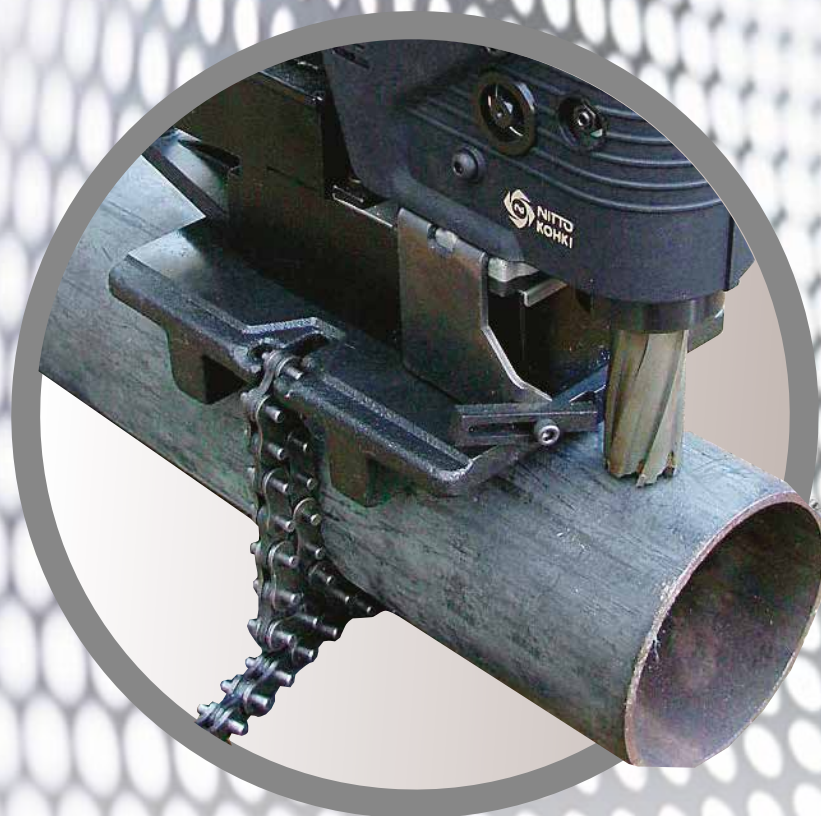


ATRA-ACE PIPE ATTACHMENT



**For pipe size of
48,6 - 318,5 mm OD!**



Models



LO-3550



CLA-2720



WA-3500



WOJ-3200



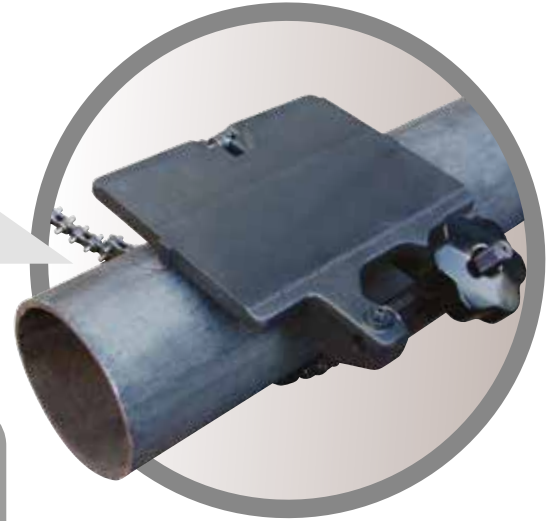
AO-5575

ATRA ACE

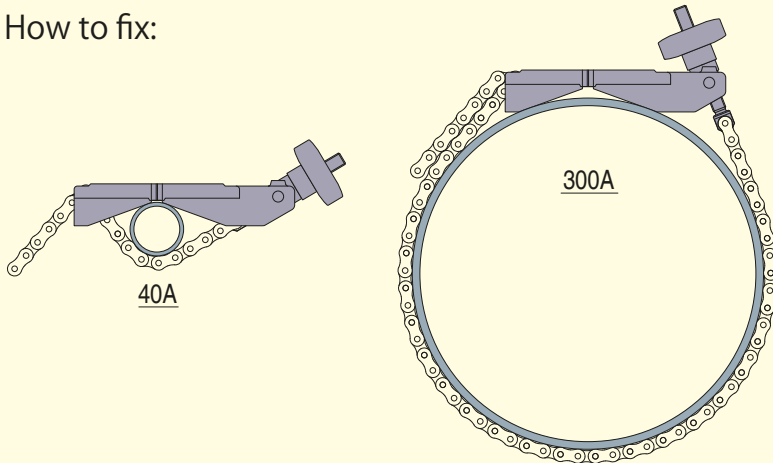
Pipe Attachment

Mass: **4.7kg**

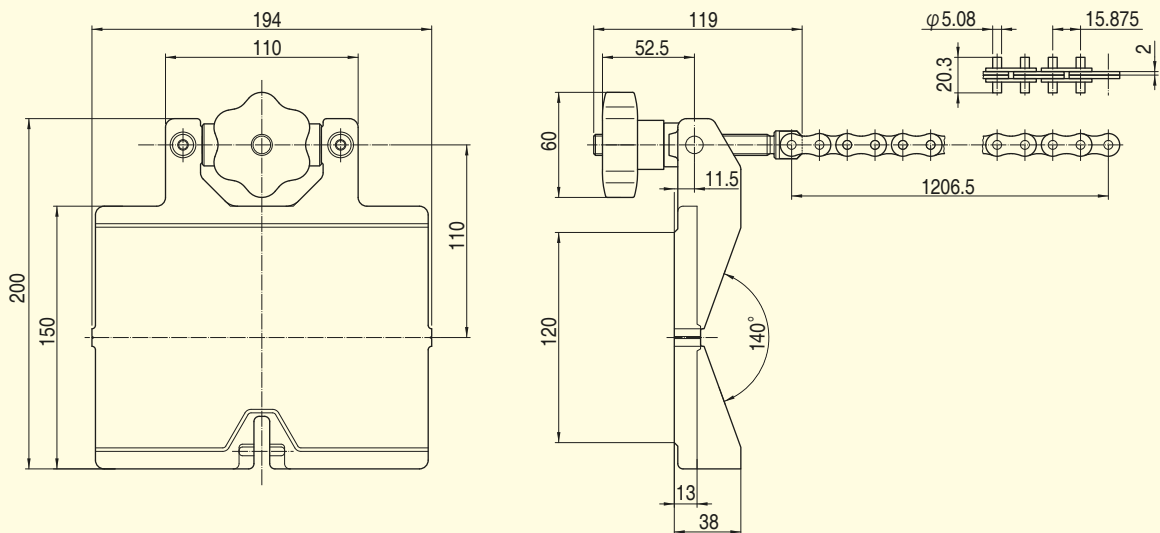
Fixed tightly by chain for making holes by ATRA ACE.



How to fix:



Dimensions:



★ Specifications and design are subject to change at any time without notice.



Head Office
9-4, Nakaikigami 2-chome,
Ohta-ku, Tokyo 146-8555 Japan
Phone : +81-3-3755-1111 Fax : +81-3-3753-8791

- ▶ E-mail : overseas@nitto-kohki.co.jp
- ▶ URL : www.nitto-kohki.co.jp/e

Distributed by:

Nitto Kohki Deutschland GmbH

Gottlieb-Daimler-Str. 10 • 71144 Steinenbronn
GERMANY

Tel: +49 7157 989555-0 • Fax: +49 7157 989555-40

E-mail: info@nitto.de

<http://www.nitto-kohki.eu>