

# MOST MINI MINI MAGNETIC BASED DRILLS

Specialist for on site!  
Most compact in the field!

**LAUNCHING CAMPAIGN!**



Model:  
**CLA-2720**

- Cordless type
- Most compact
- Up to 27 mm Ø

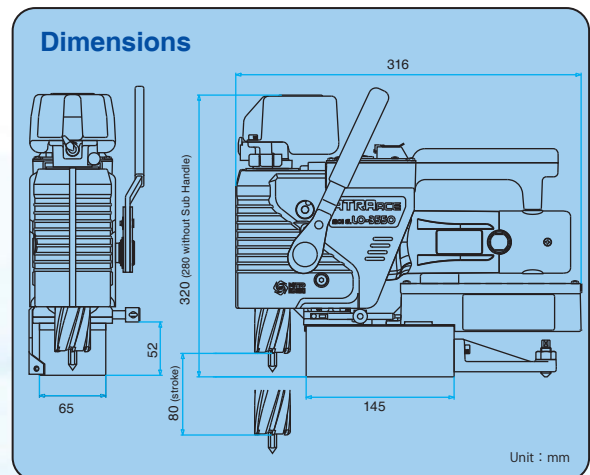
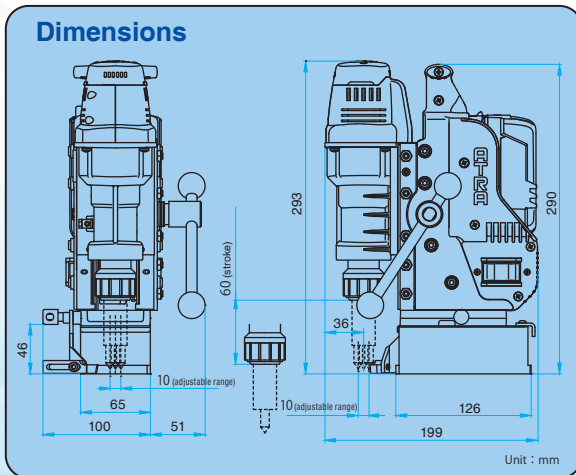
- Low profile type
- Great in mobility
- Up to 35 mm Ø

Model:  
**LO-3550**



## Specifications

Model		CLA-2720
Battery Pack		DC 18 V (Li-ion) MODEL :NBL18006
No-load Speed		430 min <sup>-1</sup>
Hole Capacity	JETBROACH One-touch type	Hole Diameter : : 12 to 17 mm dia. (Max.Plate thickness:12 mm) : 17.5 to 27 mm dia. (Max.Plate thickness:20 mm)
	Hi-BROACH One-touch type	Hole Diameter : : 12 to 15 mm dia. (Max.Plate thickness:12 mm) : 16 to 27 mm dia. (Max.Plate thickness:20 mm)
Magnet Dimension		65 mm x 126 mm
Magnet Holding Power		5500 N
Weight		7 kg(Handle Ass'y and Battery Pack are included.)
CHARGER		
Model		NC14435
Input voltage		220 - 240 V AC
Charging time		90 min
Weight		0.6 kg(Cord is not included.)



## Specifications

Model		LO-3550
Drill Motor	Power Supply (Single Phase)	220-240 V ~ 50/60 Hz
	Rated Power Consumption	800 W
	Rated Current	3.3 A
	No-load Speed	950 min
Magnet Power Consumption		35 W
Drilling Capability	JETBROACH One-touch type	Hole diameter: φ 12 mm ~ φ 35 mm Plate thickness: MAX. 50 mm
Max Magnetic Force		5500 N
Magnet Size		65 mm x 145 mm
Weight		8.7 kg (Cord and Sub handle are not included.)

The specifications and configurations contained in this document are subject to change without prior notice due to improvements we are making day in, day out.



Model	please cross	CLA-2720	LO-3550
Company Name			
Contact Name			
Order Number			
Quantity			

Company Stamp



**NITTO KOHKI DEUTSCHLAND GMBH**  
 Lerchenstraße 47  
 71144 Steinenbronn · GERMANY  
 Tel: +49 7157 22436  
 Fax: +49 7157 22437  
[www.nitto-kohki.eu](http://www.nitto-kohki.eu) · [info@nitto.de](mailto:info@nitto.de)

Date, Signature